



India's Leading Optical Transceivers and FTTX

Product Catalogue



Our Product Portfolio



Datacom



FTTx



Wireless



Networking



Security



Entrance

FTTx-ACTIVE

GPON/GEAPON - OLT & ONT

GPON-OLT



SY-GPON-16OLT
16 PORT GPON OLT



SY-GPON-8OLT
8 PORT GPON OLT



SY-GPON-4OLT
4 PORT GPON OLT

GEAPON-OLT



SY-GOPON-16OLT-L3
16 PORT EPON OLT



SY-GOPON-8OLT-L3
08 PORT EPON OLT



SY-GOPON-4OLT-L3
04 PORT EPON OLT

TRIPPLE PLAY



SY-GPON-2011-WADONT
2GE+IPOT+CATV+WIFI(AC)



SY-GPON-1111-WADONT
1GE+1FE+IPOT+CATV+WIFI(AC)



SY-GPON-1101-WDONT
1GE+1FE+CATV+WIFI



SY-GPON-1001-DONT
1GE+CATV

DATA+VOICE



SY-GPON-4010-WADONT
4GE+IPOT+WIFI(AC)



SY-GPON-2010-WADONT
2GE+IPOT+WIFI(AC)



SY-GPON-1110-WDONT
1GE+1FE+IPOT+WIFI



SY-GPON-1010-DONT
1GE+IPOT

*All GPON ONTs are by default XPON. These can be used in GPON as well as GEAPON.

ONT, ONU & SFP

DATA



SY-GPON-2000-WDONT
2GE+WIFI(AC)



SY-1000-2WDONT
1GE+WIFI



SY-GPON-4000R-DONT
4GE PORT



SY-GPON-1000R-DONT
1GE PORT

GEPON ONU



SY-GOPON-1000R-ONU
1GE EPON ONU



SY-GOPON-0400-ONU
4FE ONU



SY-GOPON-0800-RPONU-OUT
8FE Reverse POE ONU (Outdoor Enclosure)

GEPON SFP



GOXS-BI4312-20PON+++
7db EPON SFP



GOXS-BI4312-20PON4+
9db EPON SFP

GPON SFP



GOXS-BI4312-20PONC++
GPON SFP,C++, 1490/1310,20KM



GOXS-BI4312-20PONC+++
GPON SFP,C+++ , 1490/1310,20KM

XGS PON OLT & ONT

XGS OLT



SY-XGSPON-8OLT
 XGS-PON Interface,
 2x100G QSFP28, 8X100M
 Base-X SFP/ 10G SFP+,
 8xXGS / GPON Port

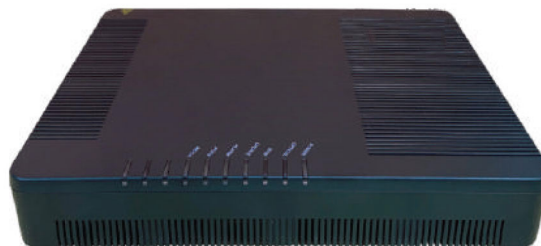
XGS ONT



SY-XGS-1000-10G ONT
 XGS-PON Interface,
 1x10G Base-T Rj45,
 1x10/100/1000 Base-T RJ45,
 1 CATV, XGS PON ONT



SY-XGS-1021-10G ONT
 XGS-PON Interface,
 1x10G Base-T Rj45,
 1x10/100/1000 Base-T RJ45,
 2 X POTS Interface
 1 CATV, XGS PON ONT



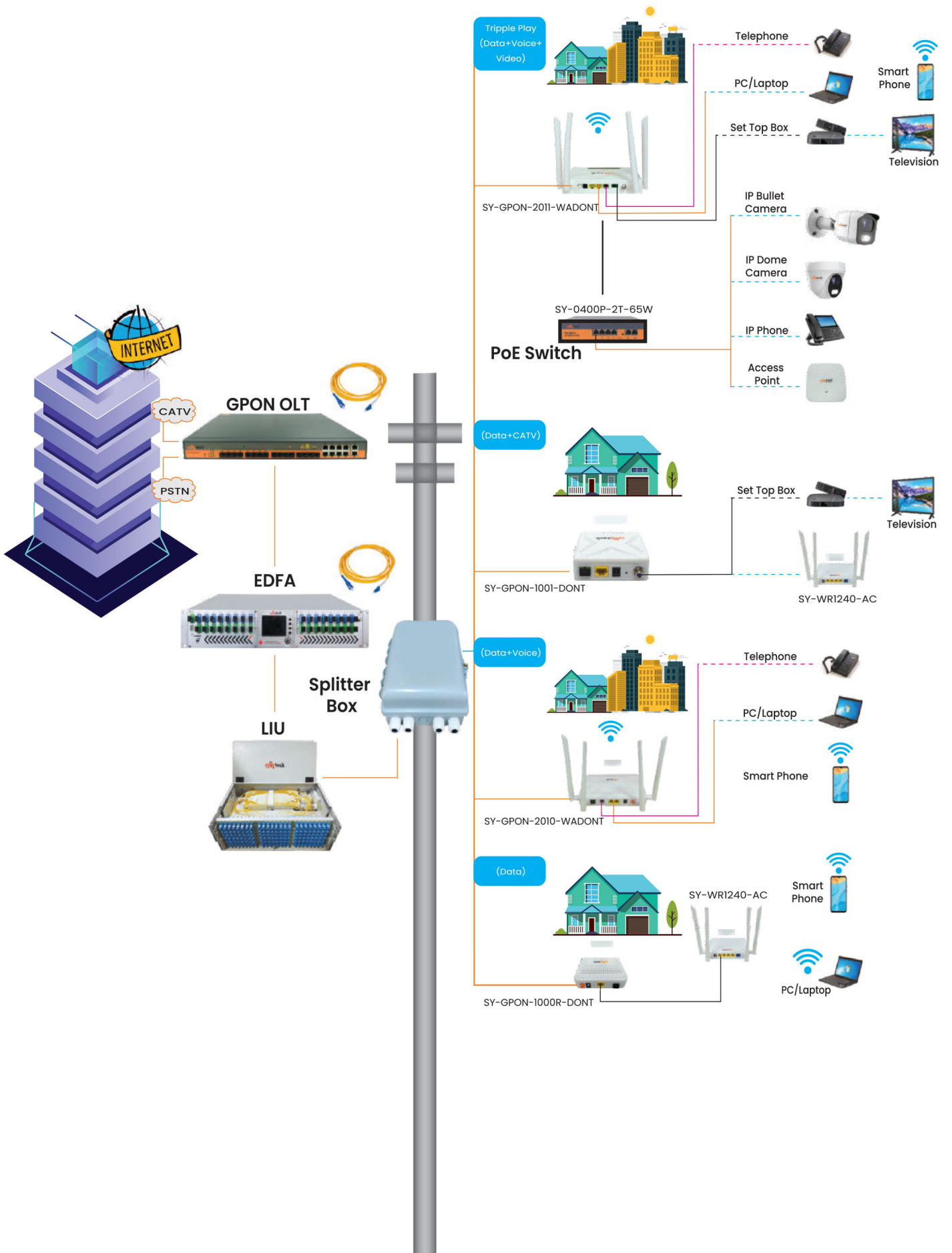
SY-XGS-4021-10G ONT
 XGS-PON Interface,
 1x10G Base-T Rj45,
 4x10/100/1000 Base-T RJ45,
 2x RJ11, 1 CATV, XGS PON ONT



India has seen dream of Digital India from latest science to latest technology, everything should be available at the tip of one's finger.

- Narendra Modi

GPON FTTH ARCHITECTURE



Datacom

Optical Transceivers

QSFP28 100G



GOXQ28-13100G-ZR4
100G, QSFP28, 1310nm, 80KM



GOXQ28-13100G-ER4
100G, QSFP28, 1310nm, 40KM



GOXQ28-13100G-LR4
100G, QSFP28, 1310nm, 10KM



GOXQ28-85100G-SR4
100G, QSFP28, 850nm, 150mtr

QSFP+ 40G



GOXQ-1340G-ZR4
40G, QSFP+, 1310nm, 80KM



GOXQ-1340G-ER4
40G, QSFP+, 1310nm, 40KM



GOXQ-1340G-LR4
40G, QSFP+, 10KM



GOXQ-8540G-02-SR4
40G, QSFP+, SR4, 850nm, 100mtr

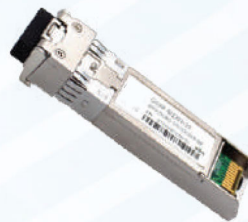
SFP28 25G



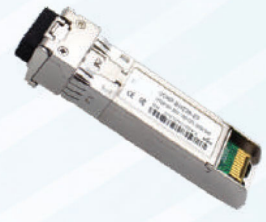
GOXP-8528-02
SFP28 25G, 850NM, 300M



GOXP-1328-10
SFP28 25G, 1310NM, 10KM



GOXP-BI2328-20
SFP28 25G, 1270/1330, 20KM SMF



GOXP-BI3228-20
SFP28 25G, 1330/1270, 20KM SMF

SFP+ 10G BIDI



GOXP-BI2396-20 | 40 | 60 | 80 SFP+, 10G, BIDI, 1270/1330NM, XX KM, SMF, DDM

GOXP-BI3296-20 | 40 | 60 | 80 SFP+, 10G, BIDI, 1330/1270NM, XXKM, SMF, DDM

SFP+ 10G (DUAL FIBER)



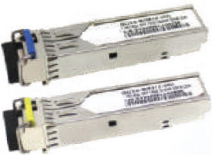
GOXP-8596-02 SFP+, 10G, 850NM, 300M, MMF, DDM

GOXP-1396-20 SFP+, 10G, 1310NM, 20KM, SMF, DDM



GOXP-1596-40 | 80 SFP+, 10G, BIDI, 1550NM, 40-80KM, SMF, DDM

SFP 1G BIDI



GOXP-BI3512-20D | 40D SFP, 1.25G, BIDI, 1310/1550NM, 20/40 KM, SMF, DDM

GOXP-BI5312-20D | 40D SFP, 1.25G, BIDI, 1330/1270NM, 20/40 KM, SMF, DDM



GOXP-BI4512-80D | 120D SFP, 1.25G, BIDI, 1490/1550NM, 80-120 KM, SMF, DDM

GOXP-BI5412-80D | 120D SFP, 1.25G, BIDI, 1550/1490NM, 80-120 KM, SMF, DDM

SFP 1G (DUAL FIBER)



GOXS-8512-20D | 40D SFP, 1.25G, 850NM, 500M, MMF, DDM

GOXS-1312-20D | 40D SFP, 1.25G, 1310NM, 20KM, SMF, DDM



GOXS-1512-20D | 40D | 80D | 120D SFP, 1.25G, 1550NM, XX KM, SMF, DDM

COPPER SFP+ & SFP



GOXP-C96-02
SFP+, 10G, Copper,
RJ45, 30mtr



GOXP-C12-02
SFP, 1000M, Copper,
RJ45

Optical Transceivers 100%

Compatible for All OEMs
(QSFP28, QSFP+, SFP+, XFP, SFP)

DWDM

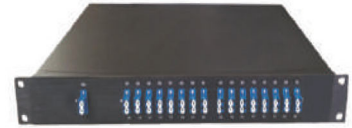
DWDM-MUX-DEMUX



SY-DWDM-08MD27Bd-R
DWDM DeMUX, 8CH, CH-27-34,
Rackmount Package, LC/UPC



SY-DWDM-16MD2742-ESR
DWDM MUX, 16CH, CH-27-42,
Rackmount Package, LC/UPC



SY-DWDM-24M D2346-ESR
DWDM DeMUX, 24CH, CH-23-46,
Rackmount Package, LC/UPC



SY-DWDM-40MD2160-ESR
DWDM MUX, 40CH, CH-21-60
Rackmount Package, LC/UPC



SY-DWDM-96D-R
DWDM MUX, 96CH 50G AAWG
Rackmount Package, LC/UPC

DISPERSION COMPENSATION MODULE



- SY-DCM-40-LC-UPC**
 To maintain the OSNR (Optical Signal to Noise Ratio) in DWDM Transmission
 Extending the Existing distance, Maintain the signal strength
 Used for cascading of multiple amplification stages.

BOOSTER AMPLIFIER SINGLE FIBER DWDM EDFA



- SY-DBA-BIDI-20G30:**
 DWDM EDFA BA G30/20dB Gain 30dB, Max output 20dB LC/UPC dual DC 48V power 1U Rack.
- SY-DBA-BIDI-18G30:**
 DWDM EDFA BA G30/18dB Gain 30dB, Max output 18dB LC/UPC dual DC 48V power 1U Rack.
- SY-DBA-BIDI-16G30:**
 DWDM EDFA BA G30/16dB Gain 30dB, Max output 16dB LC/UPC dual DC 48V power 1U Rack.

BOOSTER AMPLIFIER DUAL FIBER DWDM EDFA



- SY-DBA-EDFA-20D**
 DWDM BA (single fiber single directional) – with 1U, with SNMP port for
 web management Wavelength range-1528-1564 (40 channel),
 Input power-30 to +5, Output power-20 dBm,
 Gain-20 dBMDC48V+DC48V Connector type-LC/UPC.

SFP+ 10G DWDM

SFP+ 10G CWDM



GOXP-DWDM-XX96-40
DWDM SFP+, 10G,
XXXX.XX nm-40KM



GOXP-DWDM-XX96-80
DWDM SFP+, 10G,
XXXX.XX nm-80KM

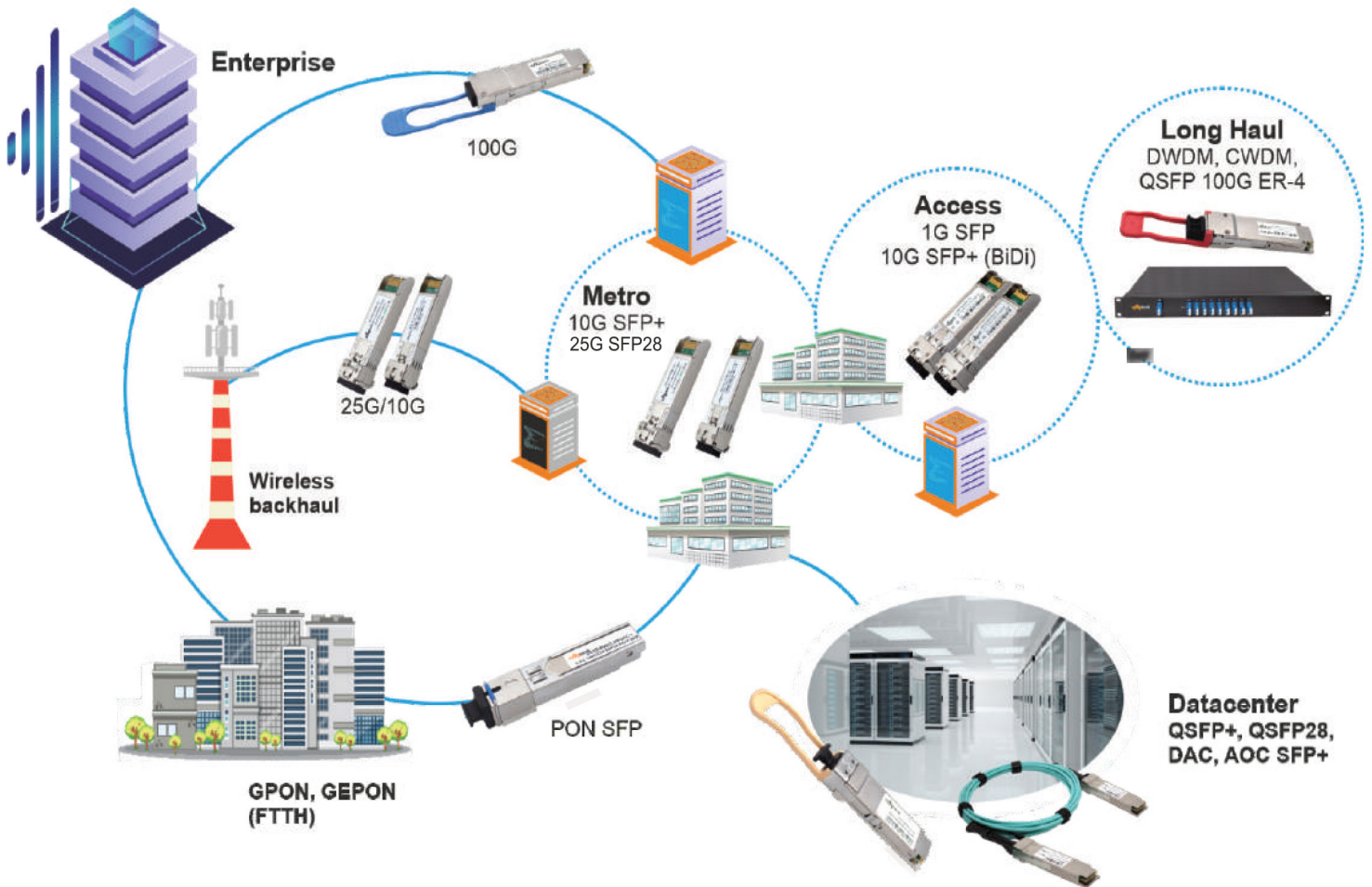
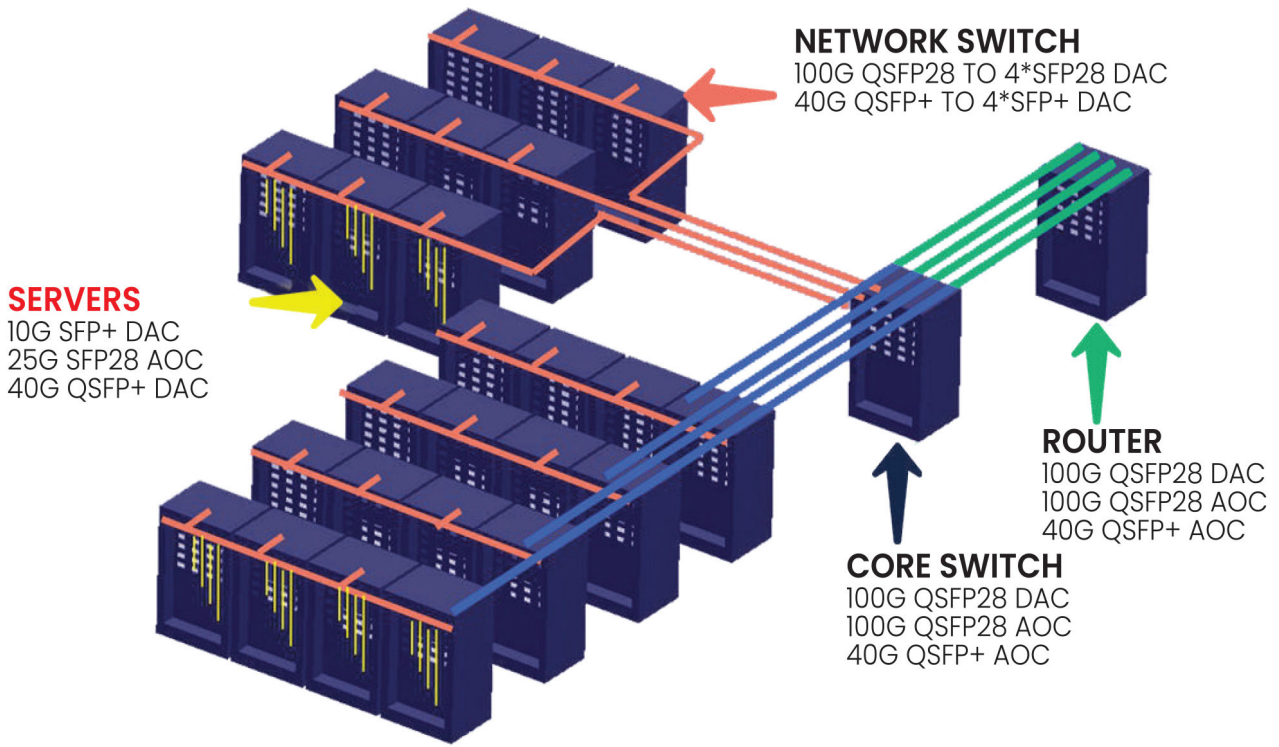


GOXP-CWDM-XX96-40
CWDM SFP+, 10G,
1470-1610nm-40KM

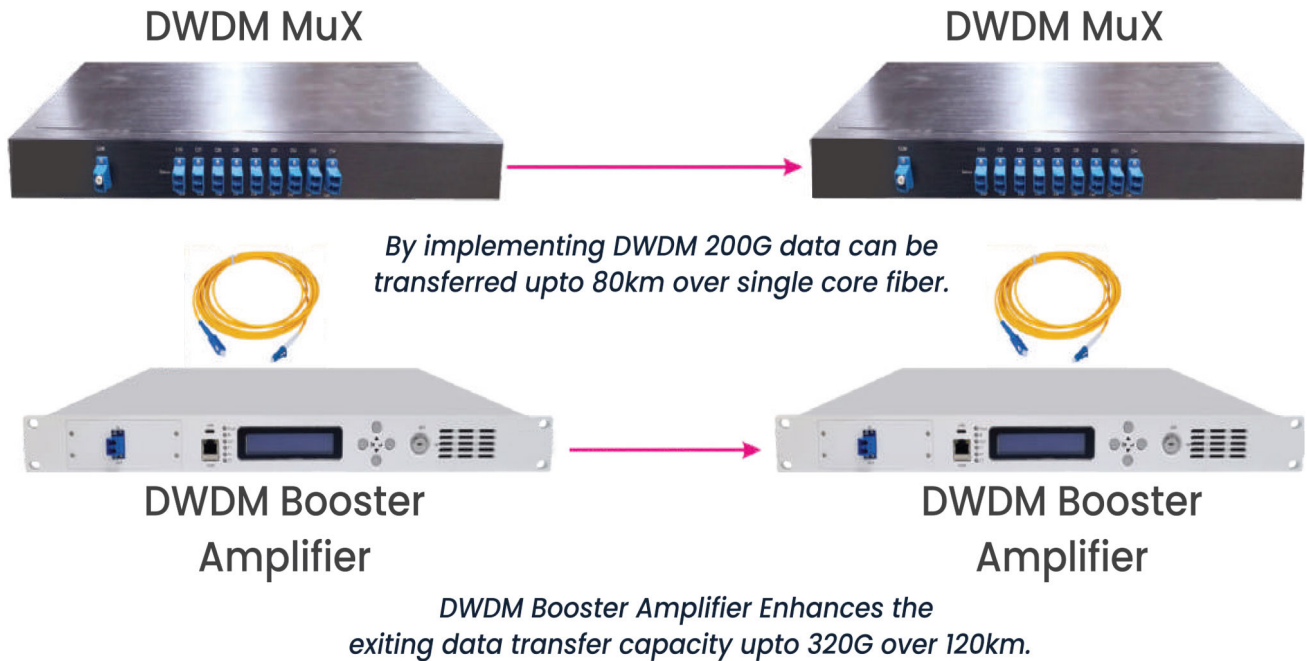


GOXP-CWDM-XX96-80
CWDM SFP+, 10G,
1470-1610nm-80KM

DAC AND AOC APPLICATION

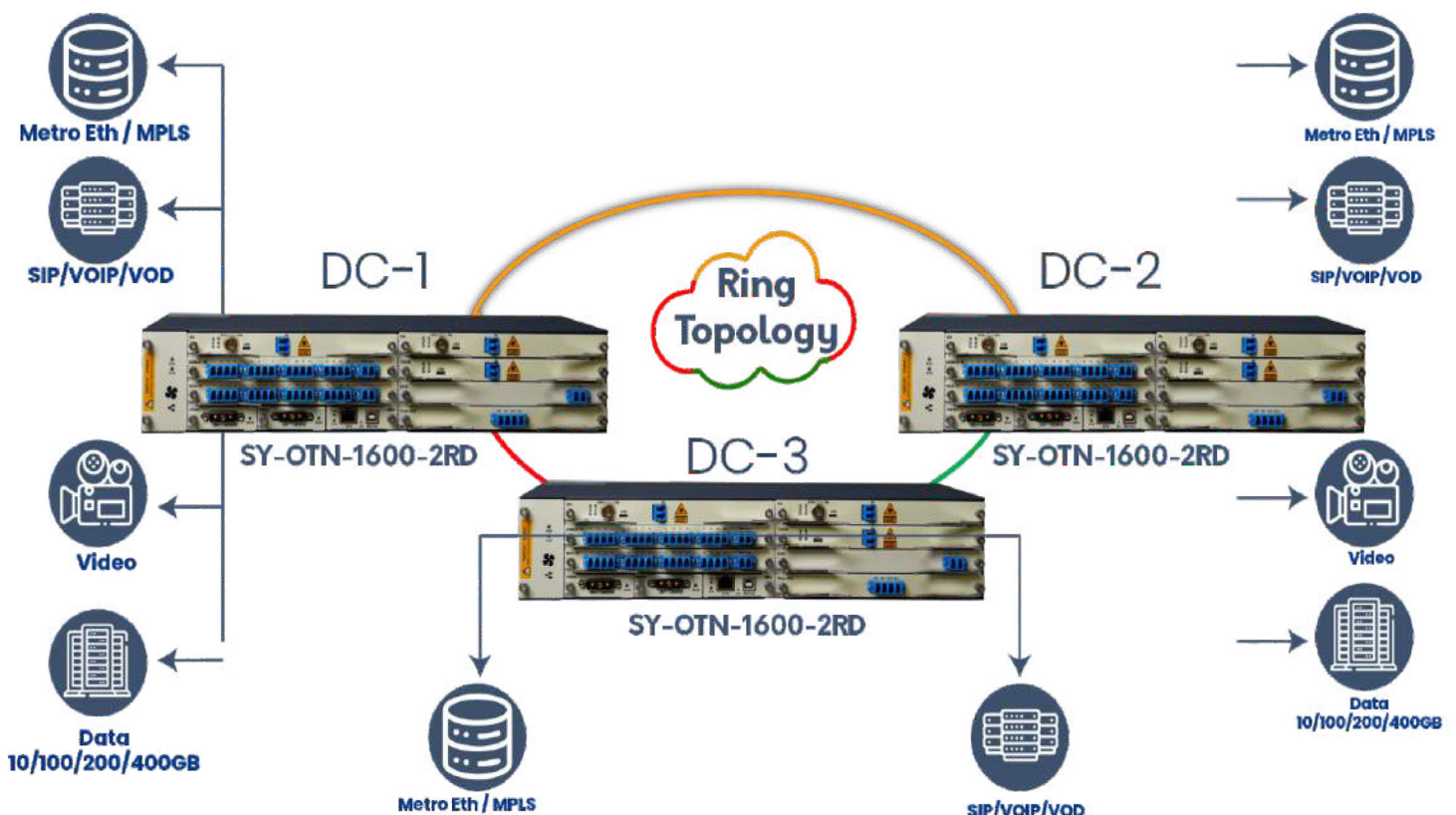


DWDM Active Solution



OTN

OPTICAL TRANSMISSION NETWORK SOLUTION FOR ISP/TSP/DC





PLI
Approved



Skill India
कौशल भारत-कुशल भारत



GeM
Government
e Marketplace



Department of Telecommunications
Ministry of Communications
Government of India

**Trusted
Source**

NETWORKING

PoE SWITCH

UNMANAGED POE SWITCH



SY-0400P-2T-65W

4*10/100Mbps POE Port
+2*10/100Mbps Uplink Port,
IEEE802.3af/at, 65W POE Power,
Extend 250 Meters



SY-4000P-2T-96W

4*10/100/1000Mbps POE Port
+2*10/100/1000Mbps Uplink Port,
af/at, 96W POE Power,
Extend 250 Meters



SY-8000P-2T-2S-150W

8*10/100/1000Mbps POE Switch
+2*10/100/1000Mbps &
2G SFP Uplink Port,
Support af/at Standard,
150W Extend 250 Meters



SY-0800P-2G-120W

8*10/100Mbps POE Switch
+2GE Uplink
Support af/at Standard,
120W Extend 250 Meters



SY-8000P-2T-150W

8*10/100/1000Mbps POE Port
+2*10/100/1000Mbps Uplink Port,
af/at, 150W POE Power,
Extend 250 Meters



SY-2400P-2T-2S-400W

24*10/100/1000Mbps POE Port
+2*10/100/1000Mbps & 2GE SFP,
Uplink Port, IEEE802.3af/at
Standard, 320W POE Power
Extend 250 Meters

L2 MANAGED POE SWITCH



SY-8000P-2T-120W-L2

8*10/100/1000Mbps POE Port
+2*GE SFP Port, 1 Console Port,
IEEE802.3af/at, 120W POE Power
L2 Managed



SY-8000P-2S-150W-L2

8*10/100/1000Mbps POE Port
+2*GE SFP Port, 1 Console Port,
IEEE802.3af/at, 150W POE Power
L2 Managed



SY-2400P-4S-400W-L2

24x10/100/1000Mbps POE Port
+4xGigabit SFP port, 1 console port,
Managed L2 Switch, af/at, 400W built-in power

INDUSTRIAL POE SWITCH



SY-4000P-2S-IND

POE 4 Port Industrial Switch, 4*10/100/1000Mbps POE Port
+2*GE SFP Uplink Port, IEEE802.3af/at, L2 Managed
Temp -40°+75° C



SY-8000P-2S-IND

POE 8 Port Industrial Switch, 8*10/100/1000Mbps POE Port
+2*GE SFP Uplink Port, IEEE802.3af/at, L2 Managed
Temp -40°+75° C

NETWORKING

L2/L3 MANAGED SWITCH



SY-8000P-4X-L2
8*10/100/1000Mbps Base-T
4*1000M Base-X SFP/10GE SFP+



SY-2400-4X-L2
24*10/100/1000Mbps Base-T
4*1000M Base-X SFP/10GE SFP+



SY-2400S-4X-DP
24*1000Mbps Base-X SFP
4*1000M Base-X SFP/10GE SFP+

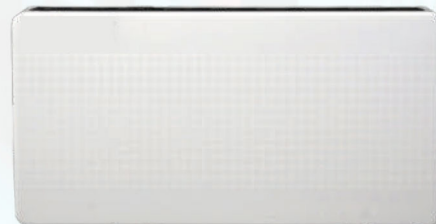


SY-2400X-2Q28-L3
24*10G SFP+, 2*40/100G
QSFP

UNMANAGED SWITCH



SY-1005
5*10/100/1000M
auto-negotiation RJ45 ports
(Auto MDI/MDIX)
RJ45 ports (Auto MDI/MDIX)



SY-1008
8*10/100/1000M
auto-negotiation RJ45 ports
(Auto MDI/MDIX)
RJ45 ports (Auto MDI/MDIX)



Expand your network with all the cutting-edge features that TLGS switches offer.



NETWORKING

Media Converter

10/100 MEDIA CONVERTER



GOMC-1303-20
10/100M SM Dual Fiber,
1310nm, SC, 20Km



GOMC-8503-02
10/100M MM Dual Fiber,
850nm, SC, 2Km



GOMC-BI3503-20
10/100M Bidi TX1310/RX1550, SC, 20Km
GOMC-BI5303-20
10/100M Bidi TX1550/RX1310, SC, 20Km

10/100/1000 MEDIA CONVERTER



GOMC-1312-20
10/100/1000M SM
Dual Fiber,
1310nm, SC, 20Km



GOMC-8512-02
10/100/1000M MM
Dual Fiber,
850nm, SC, 2Km



GOMC-BI3512-20
10/100/1000M SM Single Fiber,
T1310/1550nm, SC, 20Km
GOMC-BI5312-20
10/100/1000M SM Single Fiber,
T1550/R1310nm, SC, 20Km

1000 SFP MEDIA CONVERTER



GOMC-1312-SFP
1000M SFP Media Converter,
without SFP, External AC220V

Wireless

Access Point



SY-AP-1200-ODAC
 802.11AC MU-MIMO for high throughput Up to 1167 Mbps dual-band data rate 24V Passive PoE or IEEE 802.3af/at PoE power supply Max Range of up to 150 meters/ Outdoor Wi-Fi Access Point 2xRP-SMA Connectors



SY-AP-3000-AX (WiFi-6)
 802.11AX Dual-Band Long Range Access Point Up to 3000 Mbps dual-band data rate 2.4 GHz band 2x2 MIMO with a radio rate of 574 Mbps 5 GHz band 2x2 MIMO with a radio rate of 2402 Mbps Power input with 802.3at PoE



SY-AP-1200-AC
 802.11ac Dual-Band Access Point MU-MIMO for high throughput Up to 1167 Mbps dual-band data rate 24V Passive PoE or IEEE 802.3af/at PoE power supply Range of up to 150 meters

Wi-Fi Router



SY-AX-1800 (WiFi-6)
 2.4GHz: 300Mbps, 5GHz: 1201Mbps 5*6dBi high-gain antennas MU-MIMO Parental Control



SY-1200-AC-PRO
 2.4GHz: 300Mbps, 5GHz: 1201Mbps 5*6dBi external antennas MU-MIMO Parental Control



SY-1200-AC
 2.4GHz & 5GHz 4*6dBi external dual band antennas Remote Web Management

Wi-Fi USB Dongle



SY-USB-AX-EXT
 Wi-Fi 6 Dual Band USB 3.0 Adapter, 2*5dbi external antenna



SY-USB-AX
 SY-USB-AX Wi-Fi 6 Dual Band USB 3.0 Adapter, internal antenna

PM WANI

Broadband at your fingertips

Access Point

Qualcomm chipset.

802.11ac/b/g/n,
MIMO technology.

Wireless AP, Gateway,
WISP, Wi-Fi Repeater WAN.

10/100/1000Mbps RJ45 WAN
Port, WAN port support IEEE
802.3 at standard PoE.



SY-AP1200AC-OD
11AC 1200Mbps WAVE 2 Outdoor AP



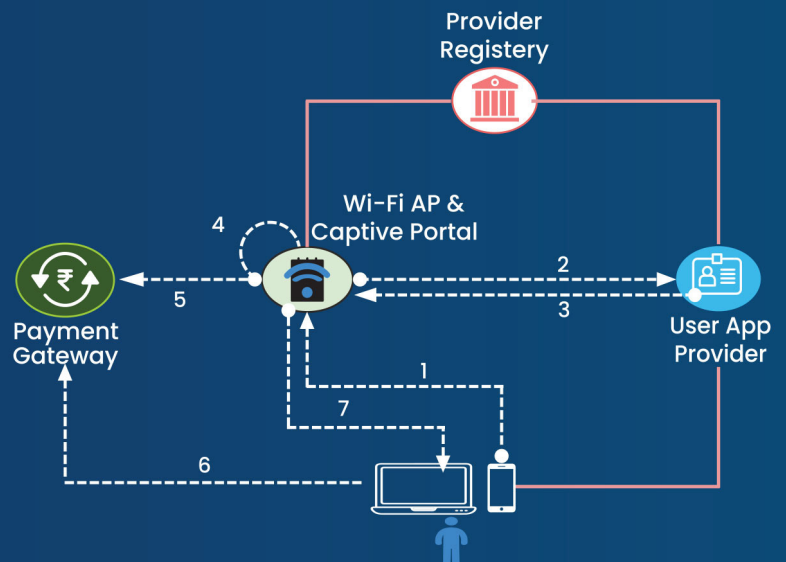
Increase broadband connectivity across India and further push internet adoption in rural areas.



Wi-fi networks to be enabled by Public Data Office Aggregators (PDOAs) to provide Wi-fi service through Public Data Offices (PDOAs).



Will help in proliferation of broadband internet, enhance income & employment for small and medium entrepreneurs and ease of doing business.



Wi-Fi Solution



PoE SWITCH



ONU



INTERNET



CORE SWITCH



FTTx



AP Centralized Controller System



- 802.11AX Indoor Dual-Band Long Range Access Point.
- AP is designed based on the new Wi-Fi 6 Technology.
- Upto 3000Mbps Dual-Band Data rate (2.4, 5.0GHz).
- 3Gbps Wi-Fi, 2.5 Times Higher rate.
- More than 20% wider Wi-Fi coverage, Higher Capacity.
- Higher security, Intelligent roaming protocol.
- Power Input width 802.3at PoE.



- 802.11AC Outdoor Dual-Band Long Range Access Point.
- Concurrent dual band data rate upto 1167Mbps(2.4,5.0Ghz).
- MU-MIMO technology for higher throughput.
- Coverage radius upto 200 meters.
- Built-in RF for Intelligent Optimization
- Power Input width 802.3at PoE.
- Higher security, Intelligent roaming protocol.
- Durable IP 65 enclosure for outdoor Wi-Fi applications.



FTTx-PASSIVE

FIBER PATCHCORD

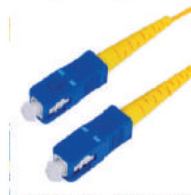
SINGLE MODE SIMPLEX



LC/UPC-LC/UPC



SC/UPC-LC/UPC



SC/UPC-SC/UPC



SC/APC-SC/APC



ST/PC-ST/PC

SINGLE MODE DUPLEX



LC/UPC-LC/UPC



SC/UPC-LC/UPC



SC/UPC-SC/UPC



ST/PC-ST/PC

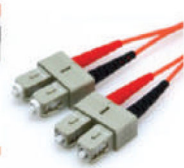


FC/PC-FC/PC

MULTI MODE OM1/OM2/OM3/OM4/OM5



LC/PC-LC/PC



SC/PC-SC/PC



SC/PC-LC/PC



ST/PC-ST/PC



FC/PC-FC/PC

SINGLE MODE/MULTI MODE PIGTAIL



SC/PC SM



SC/APC SM



LC/PC SM



LC/APC SM



SC/PC MM



Fiber Patch Cords are available in 1m, 2m, 3m, 5m, 10m, 15m, 20m and customized patch cords are available based on request.

LIU - FMS

RACK MOUNTING SLIDING TYPE-19 INCH WITH SC/PC, SC/APC, LC/PC, FC/PC, ST/PC, E2K/APC

***Our Rack Mount LIU/FMS are TWO-IN-ONE ,can use as sliding type as well as open top type.**



SY-LIU-6F
6 Port, Rack Mount LIU



SY-LIU-12F
12 Port, Rack Mount LIU



SY-LIU-24F
24 Port, Rack Mount LIU



SY-LIU-48/72F
48/72 Port, Rack Mount LIU



SY-LIU-96F
96 Port, Rack Mount LIU

Single Mode / Multi Mode - Simplex / Duplex options are also available.

WALL MOUNT TYPE-19 INCH, WITH SC/PC, SC/APC, LC/PC, FC/PC, ST/PC, E2K/APC



SY-LIU-6F
6 Port, Wall Mount LIU



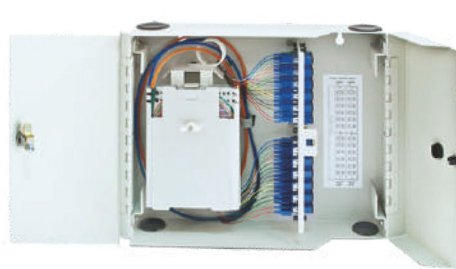
SY-LIU-12F
12 Port, Wall Mount LIU



SY-LIU-24F
24 Port, Wall Mount LIU



SY-LIU-48F
48 Port, Wall Mount LIU



SY-LIU-72F
72 Port, Wall Mount LIU



SY-LIU-96F
96 Port, Wall Mount LIU



Guaranteed quality



Competitive price



Fast delivery



Universal compatibility



Industrial compliance



Wide range of products



Quality certified



Deployed in major networks

 **BRAHMASHIRA ASTRA BHARAT**
BSAB DIVERSIFYING STRATEGIC TECHNOLOGIES

bsab.co.in

Enquiry : info@bsab.co.in

Branch office : 8, Kautilya Marg, Enclave, Chankyapuri, New Delhi - 11021

Production Faculty : B-88, Sector 83, Noida, Gautam Buddha Nagar, Uttar Pradesh - 201305